

1

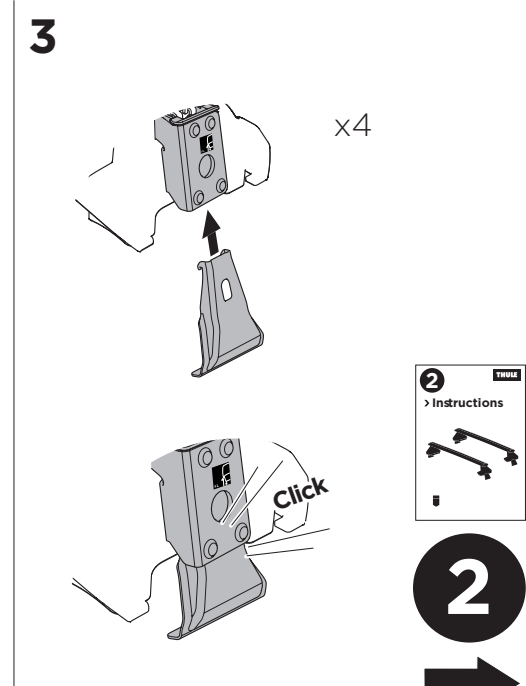
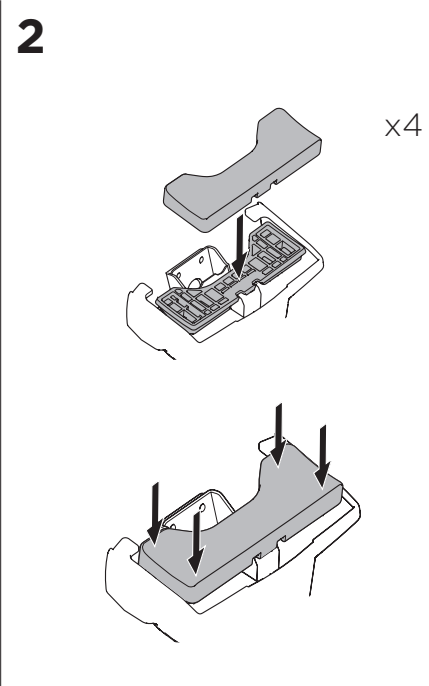
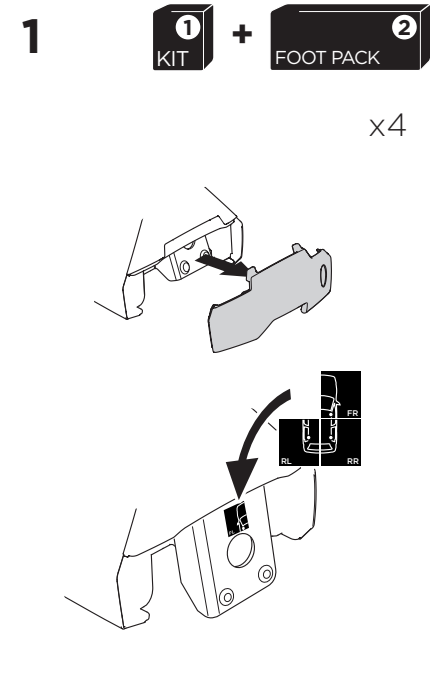
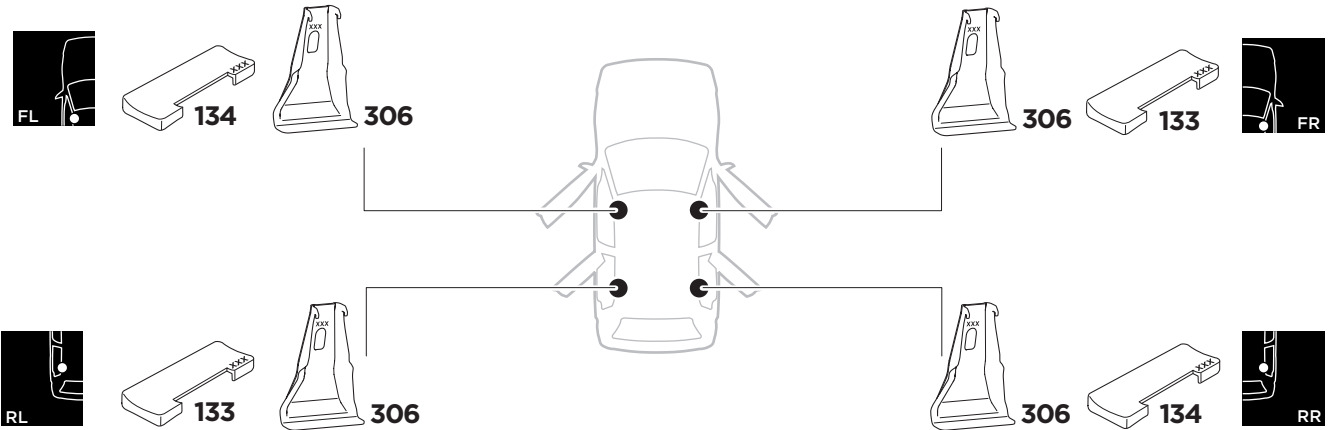
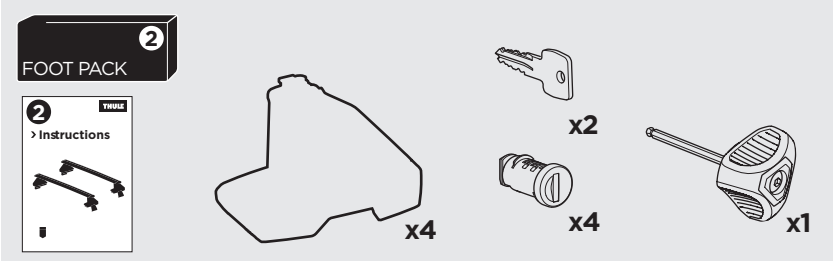
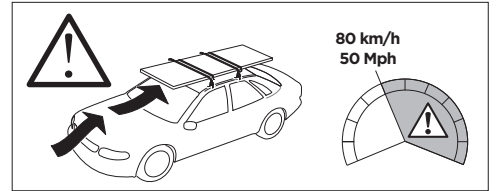
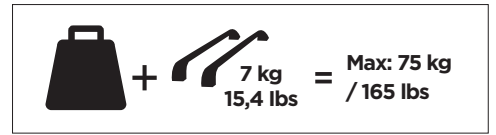
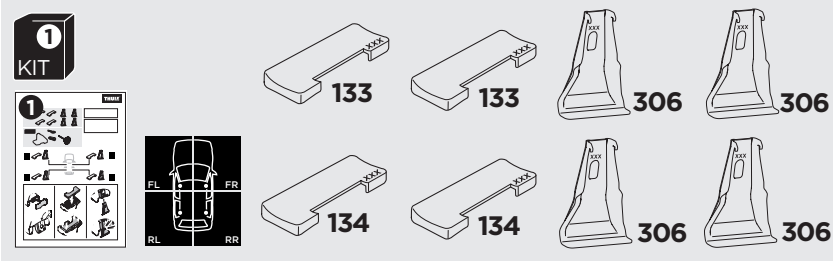
Kit 5181

TOYOTA Prius, 5-dr Hatchback, 04-08 / *04-09

*North America



ISO 11154-E





| | | | | | |
|---|--------------------|---------------|-----------------|--------------------------|-----------------------|
| THULE WingBar Evo | THULE WingBar Edge | THULE WingBar | THULE SquareBar | Evo X (scale) | Edge X (scale) |
| TOYOTA Prius, 5-dr Hatchback, 04-08/*04-09 | | | | 41 | O |
| THULE ProBar | THULE SlideBar | | | | X (mm/inch) |
| TOYOTA Prius, 5-dr Hatchback, 04-08/*04-09 | | | | 1061 mm / 41 3/4" | |



| | | | | | |
|---|--------------------|---------------|-----------------|----------------------|-----------------------|
| THULE WingBar Evo | THULE WingBar Edge | THULE WingBar | THULE SquareBar | Evo Y (scale) | Edge Y (scale) |
| TOYOTA Prius, 5-dr Hatchback, 04-08/*04-09 | | | | 39 | A |
| THULE ProBar | THULE SlideBar | | | | Y (mm/inch) |
| TOYOTA Prius, 5-dr Hatchback, 04-08/*04-09 | | | | 1041 mm / 41" | |

| | | |
|---|-------------------------|-------------------------|
| | W (mm/inch) | Z (mm/inch) |
| TOYOTA Prius, 5-dr Hatchback, 04-08/*04-09 | 650 mm / 25 5/8" | 350 mm / 13 3/4" |

