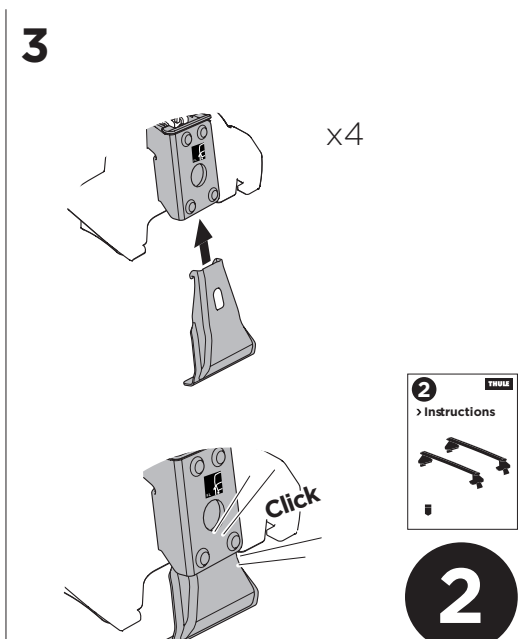
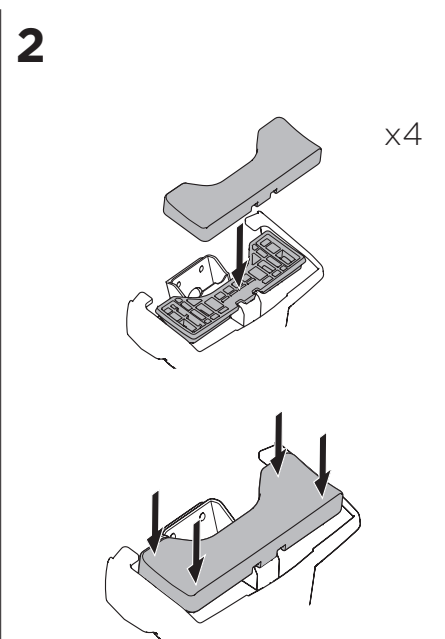
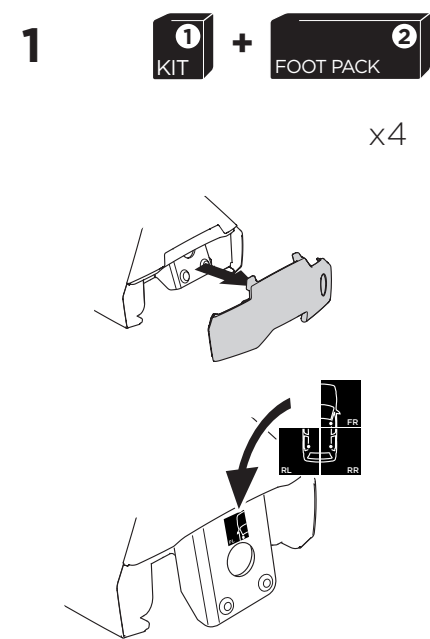
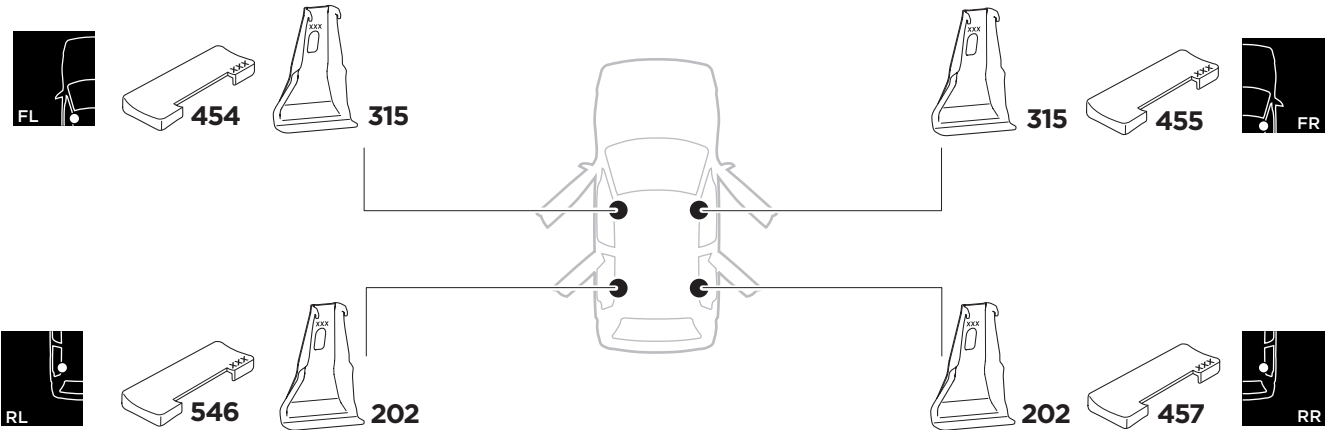
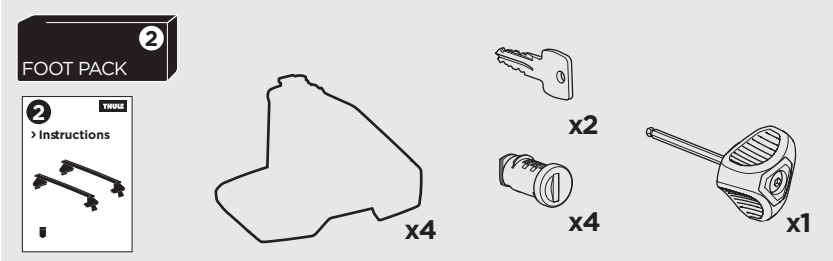
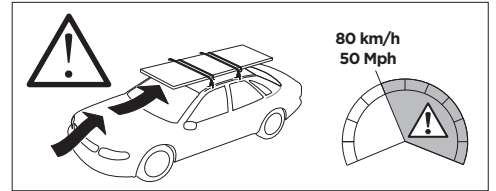
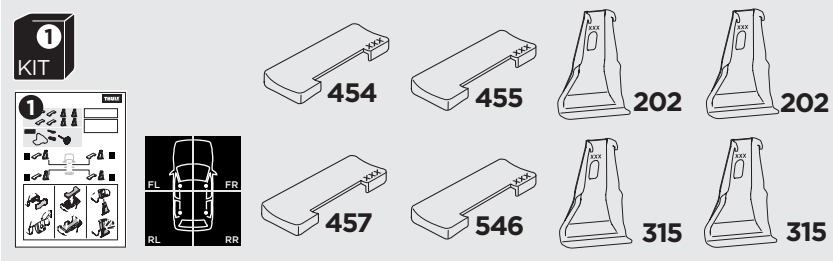


# 1

## Kit 5150 KIA Optima, 4-dr Sedan, 16-



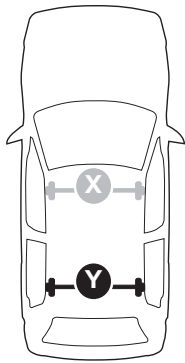
ISO 11154-E





THULE WingBar Evo	THULE WingBar Edge	THULE WingBar	THULE SquareBar	<b>Evo X (scale)</b>	<b>Edge X (scale)</b>
<b>KIA Optima, 4-dr Sedan, 16-</b>				<b>41,5</b>	<b>N</b>

THULE ProBar	THULE SlideBar	<b>X (mm/inch)</b>		
<b>KIA Optima, 4-dr Sedan, 16-</b>		<b>1066 mm / 42"</b>		



THULE WingBar Evo	THULE WingBar Edge	THULE WingBar	THULE SquareBar	<b>Evo Y (scale)</b>	<b>Edge Y (scale)</b>
<b>KIA Optima, 4-dr Sedan, 16-</b>				<b>37,5</b>	<b>D</b>

THULE ProBar	THULE SlideBar	<b>Y (mm/inch)</b>		
<b>KIA Optima, 4-dr Sedan, 16-</b>		<b>1026 mm / 40 3/8"</b>		

	<b>W (mm/inch)</b>	<b>Z (mm/inch)</b>
<b>KIA Optima, 4-dr Sedan, 16-</b>	<b>700 mm / 27 1/2"</b>	<b>270 mm / 10 5/8"</b>

