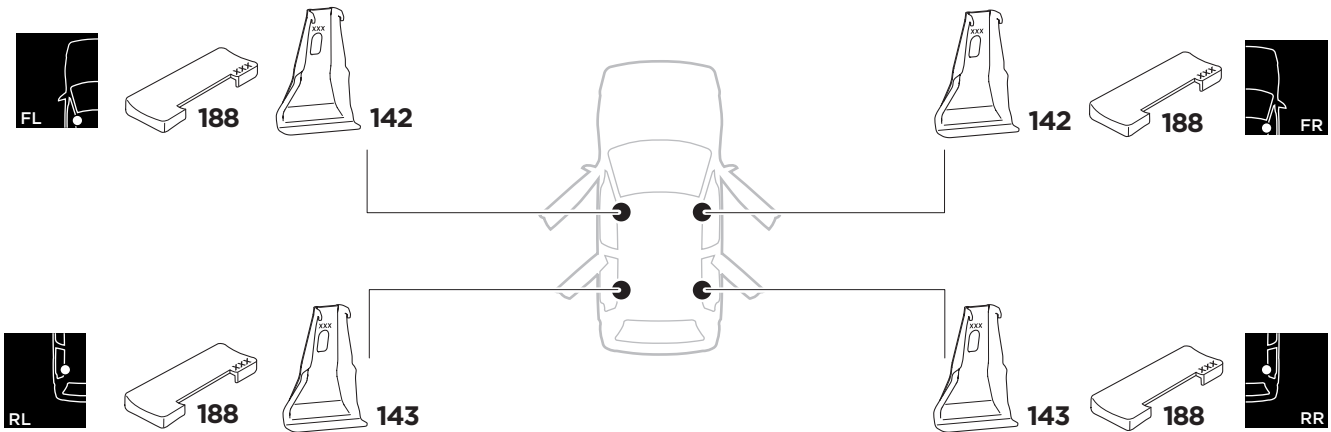
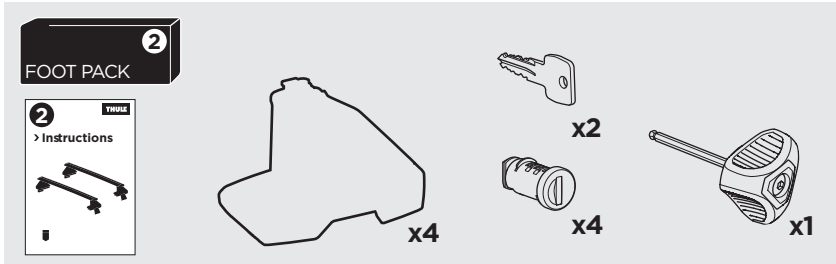
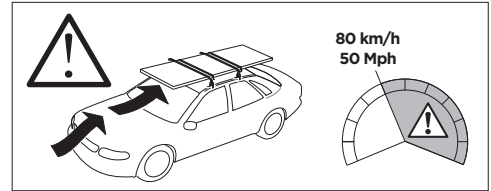
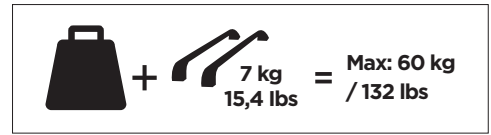
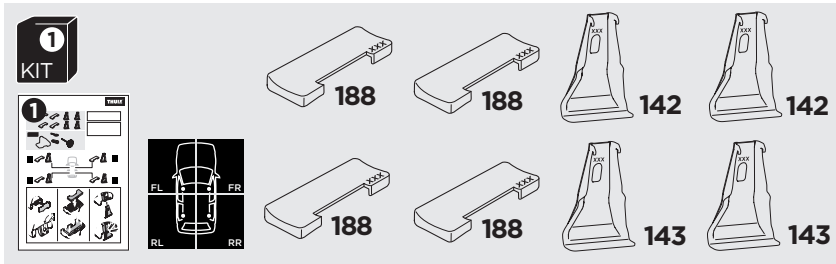


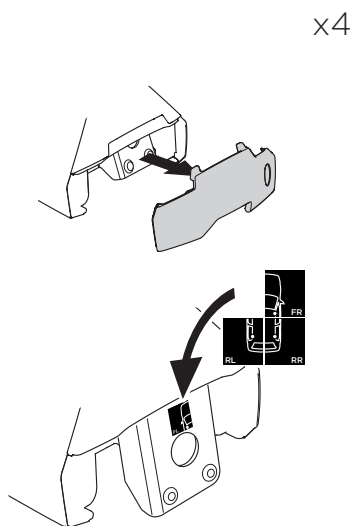
# 1

## Kit 5045 CITROËN C3, 5-dr Hatchback, 17-

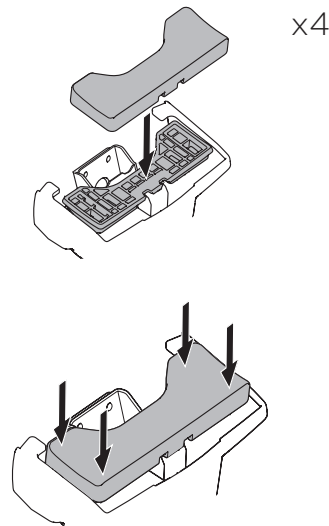
ISO 11154-E



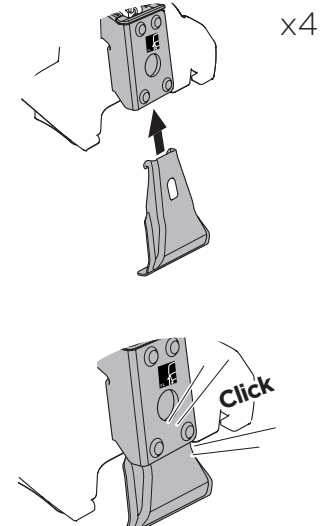
### 1 KIT + FOOT PACK 2



### 2



### 3





THULE WingBar Evo	THULE WingBar Edge	THULE WingBar	THULE SquareBar	<b>Evo X (scale)</b>	<b>Edge X (scale)</b>
<b>CITROËN C3, 5-dr Hatchback, 17-</b>				<b>35</b>	<b>I</b>
THULE ProBar	THULE SlideBar				<b>X (mm/inch)</b>
<b>CITROËN C3, 5-dr Hatchback, 17-</b>				<b>1001 mm / 39 3/8"</b>	



THULE WingBar Evo	THULE WingBar Edge	THULE WingBar	THULE SquareBar	<b>Evo Y (scale)</b>	<b>Edge Y (scale)</b>
<b>CITROËN C3, 5-dr Hatchback, 17-</b>				<b>31</b>	<b>Q</b>
THULE ProBar	THULE SlideBar				<b>Y (mm/inch)</b>
<b>CITROËN C3, 5-dr Hatchback, 17-</b>				<b>961 mm / 37 7/8"</b>	

	<b>W (mm/inch)</b>	<b>Z (mm/inch)</b>
<b>CITROËN C3, 5-dr Hatchback, 17-</b>	<b>725 mm / 28 1/2"</b>	<b>260 mm / 10 1/4"</b>

