

PIONEER EYE BOLT

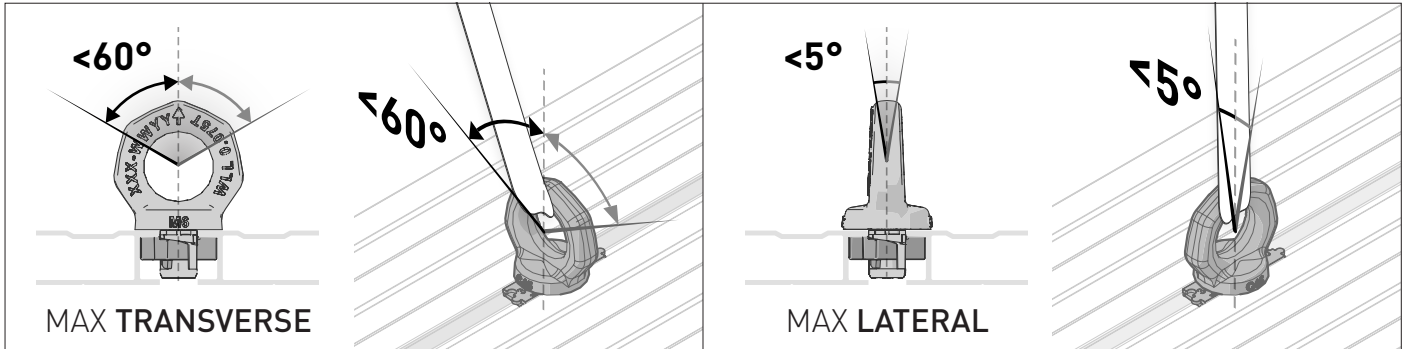
PEB

Important:

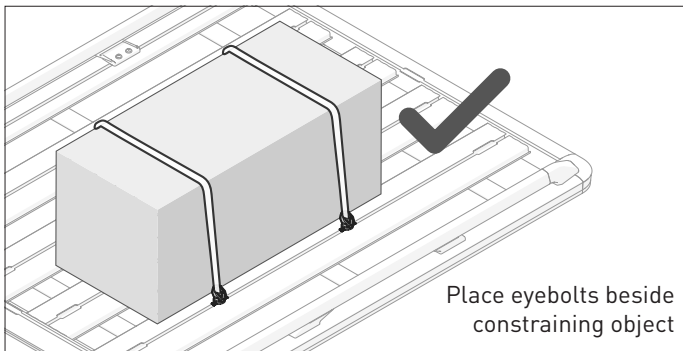
1. Check the Rhino-Rack website to ensure you have the latest issue of these instructions.
2. Please refer to your fitting instruction to ensure that the accessory is installed correctly.
3. Check the contents of kit before commencing fitment and report any discrepancies.
4. Place these instructions in the vehicle's glove box after installation is complete.
5. These instructions must be followed for warranty to be upheld.

Fit Time: 5 mins

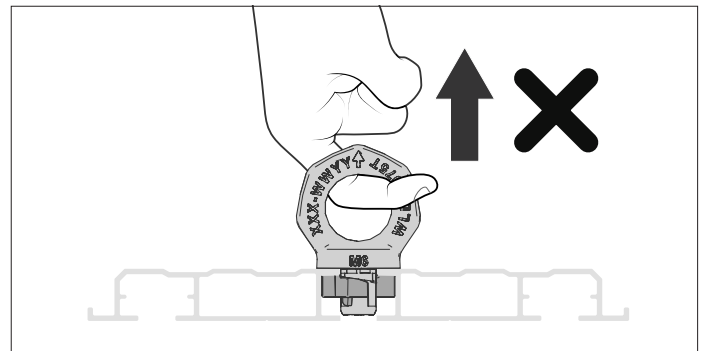
MAX. PERMISSIBLE STRAPPING ANGLES



FOR TYING DOWN LOADS ONLY



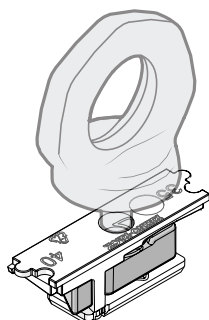
NOT FOR LIFTING



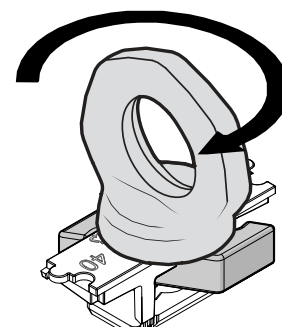
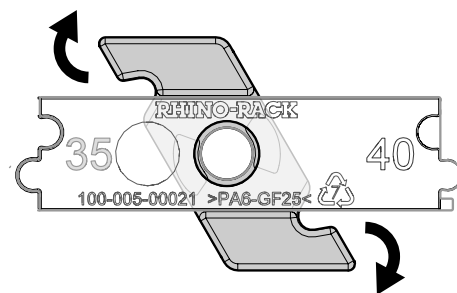
WORKING LOAD LIMIT = 75KG

ZWIFLOC™ Lock Guide


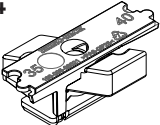
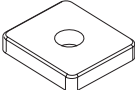
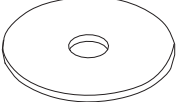

UNLOCKED



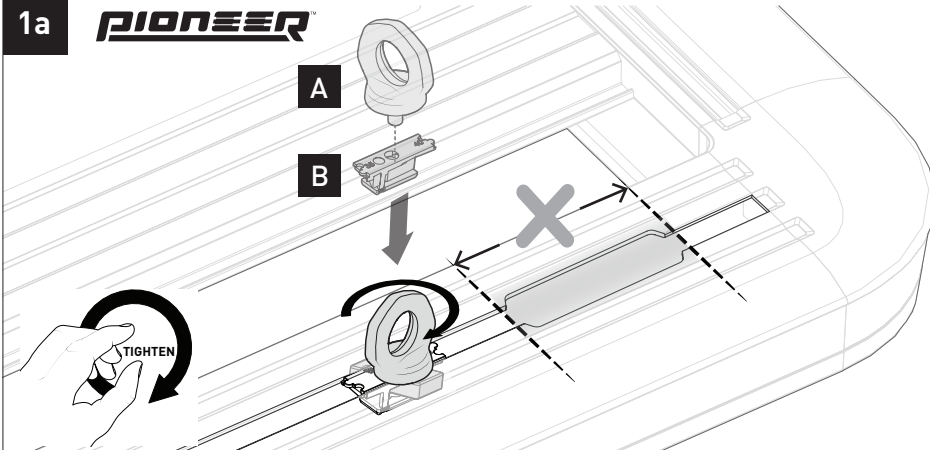
LOCKED



Parts List

M6 Eye Bolt A x4	Zwiftloc Drop it Nut B x4	24mm x 21mm x 4mm Nut C x4	1/4 x 1 1/4 Flat Washer D x4	Fitting Instruction E x1
				

1a **PIONEER**



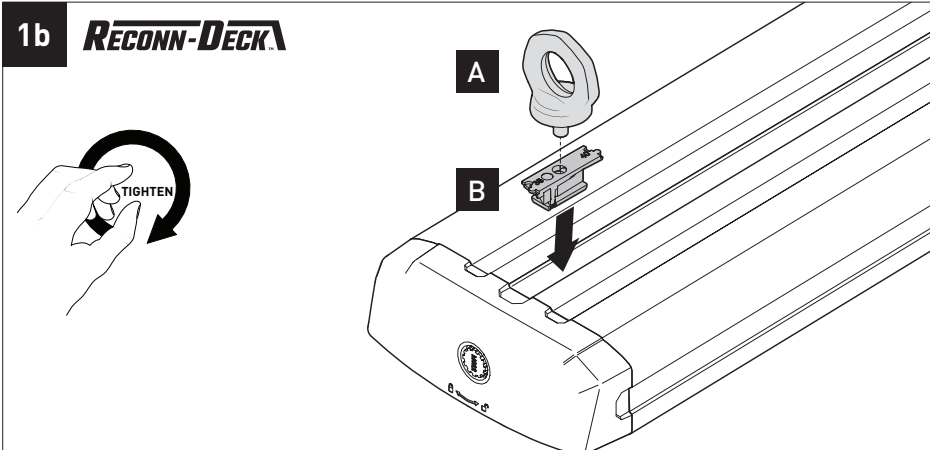
A **B**

TIGHTEN

A **B**

SIDE VIEW
CROSS SECTION

1b **RECONN-DECK**



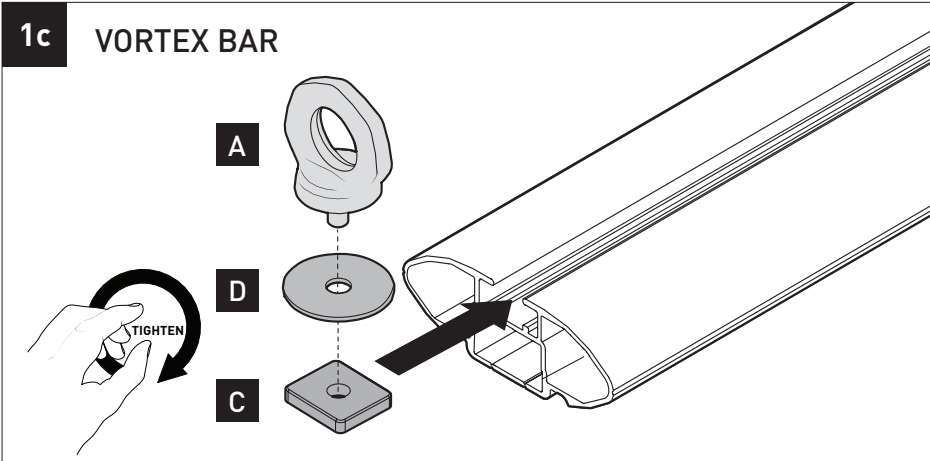
A **B**

TIGHTEN

A **B**

SIDE VIEW
CROSS SECTION

1c **VORTEX BAR**



A **D** **C**

TIGHTEN

A **D** **C**

SIDE VIEW
CROSS SECTION