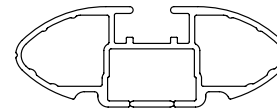
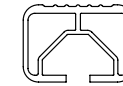




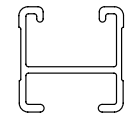
CROSSBAR IDENTIFICATION



VA crossbar



EURO crossbar



HD crossbar

Vehicle	Date	Crossbar	FRONT CROSSBAR					REAR CROSSBAR						
			Front Right Pad/Clamp	Front Left Pad/Clamp	Measurement strip length per side	Measurement strip length per side	Measurement Distance (x)	Foot plate arrow direction	Rear Right Pad/Clamp	Rear Left Pad/Clamp	Measurement strip length per side	Measurement strip length per side	Measurement Distance (x)	Foot plate arrow direction
Honda Jazz 5dr hatch	14-	1180mm	M282 SUB0635	M281 SUB0635	151mm	96mm	870mm / 34,1/4"	OUT	M802 SUB0636	M801 SUB0636	98mm	43mm	764mm / 30,3/32"	OUT
			Pad Arrow Forward						Pad Arrow Forward					
Honda Fit 5dr hatch	15-	1180mm	M282 SUB0635	M281 SUB0635	151mm	96mm	870mm / 34,1/4"	OUT	M802 SUB0636	M801 SUB0636	98mm	43mm	764mm / 30,3/32"	OUT
			Pad Arrow Forward						Pad Arrow Forward					



Rhino Rack 2500 Series - DK438 instruction

CONTROLLED

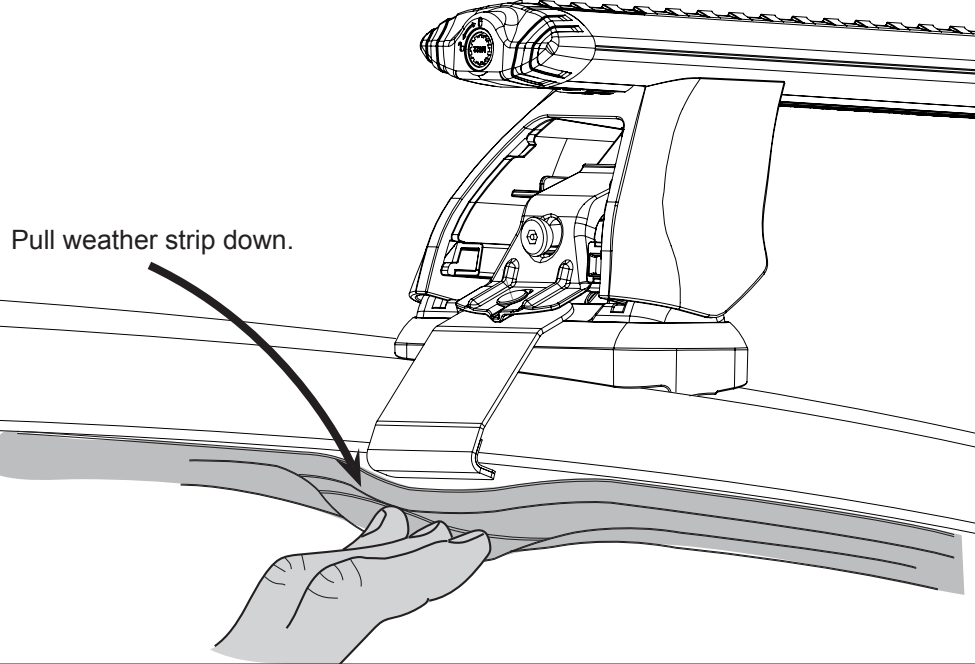
Measurement A: CENTRE of door jamb to CENTRE arrow of leg foot plate.

Measurement B: CENTRE of Front leg foot plate arrow to CENTRE of Rear leg foot plate arrow.

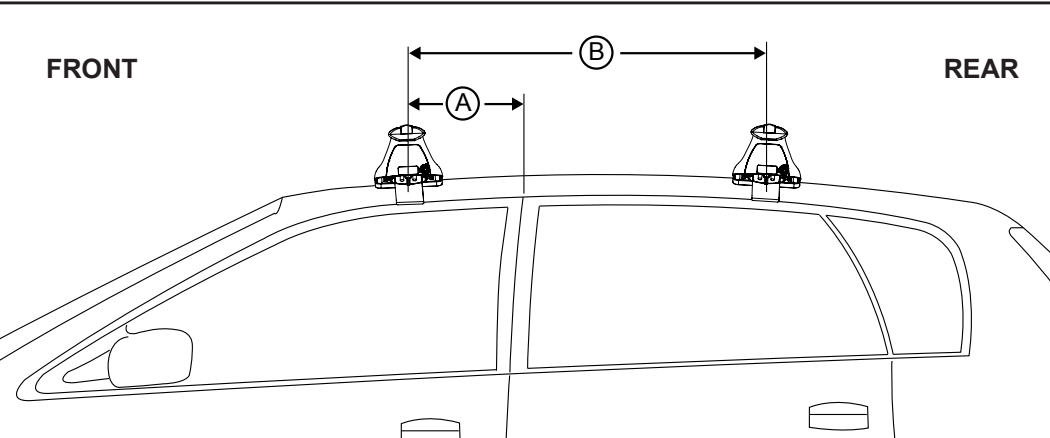
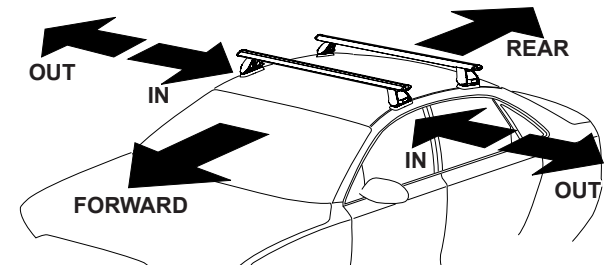
Carrying capacity: Roof rack is rated to 75kg. Please refer to manufacturers handbook for your vehicles maximum roof load capacity. Always use the lower of the two figures.

If your vehicle is not listed on this fitting instruction please refer to your countries Rhino-Rack web site for the latest information.

With doors open, gently pull the top weather strip down. Fit the two piece bracket assembly so the lower bracket sits above the rubber and hooks the radius of the vehicle roof. Fit the M8 attachment screw. Repeat for each side, front & rear of vehicle.



Direction of Pad Arrow and Foot Plate Arrow



VEHICLE	Date	Measurement A	Measurement B	Load Rating (includes racks 5kg/ 11lbs)
Honda Jazz 5dr hatch	14-	250mm / 9,27/32"	750mm / 29,17/32"	75kg / 165lbs
Honda Fit 5dr hatch	15-	250mm / 9,27/32"	750mm / 29,17/32"	75kg / 165lbs