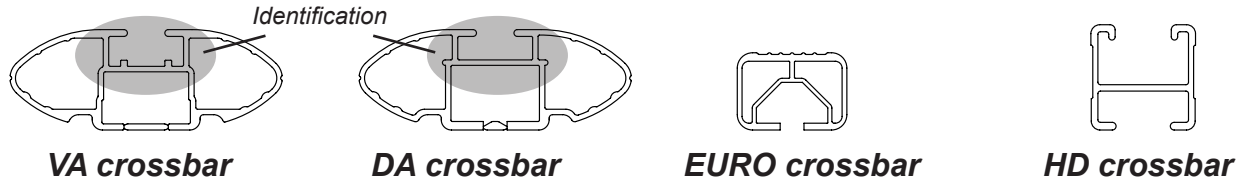




DK381 Rhino-Rack VA, DA, Euro & HD crossbar instruction

IDENTIFICATION CHART



Vehicle	Date	Crossbar	FRONT CROSSBAR					REAR CROSSBAR						
			Front Right Pad/Clamp	Front Left Pad/Clamp	Measurement strip length per side	Measurement strip length per side	Measurement Distance (x)	Foot plate arrow direction	Rear Right Pad/Clamp	Rear Left Pad/Clamp	Measurement strip length per side	Measurement strip length per side	Measurement Distance (x)	Foot plate arrow direction
Nissan Altima/ Altima Hybrid 4dr sedan	13-	1260mm	M435 SUB0264	M436 SUB0264	185mm	72mm	1018mm / 40,5/64"	OUT	M368 SUB0255	M368 SUB0255	169mm	56mm	986mm / 38,13/16"	OUT
			Pad Arrow FORWARD						Pad Arrow OUT					



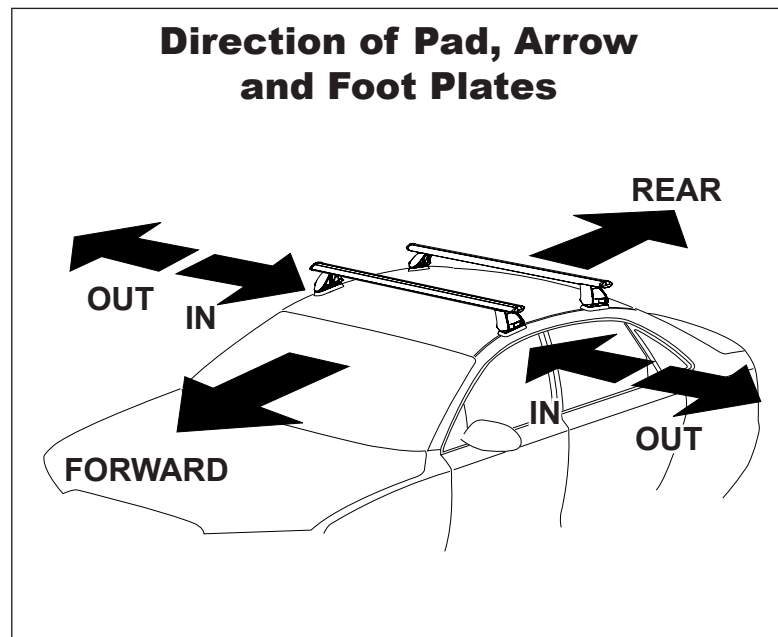
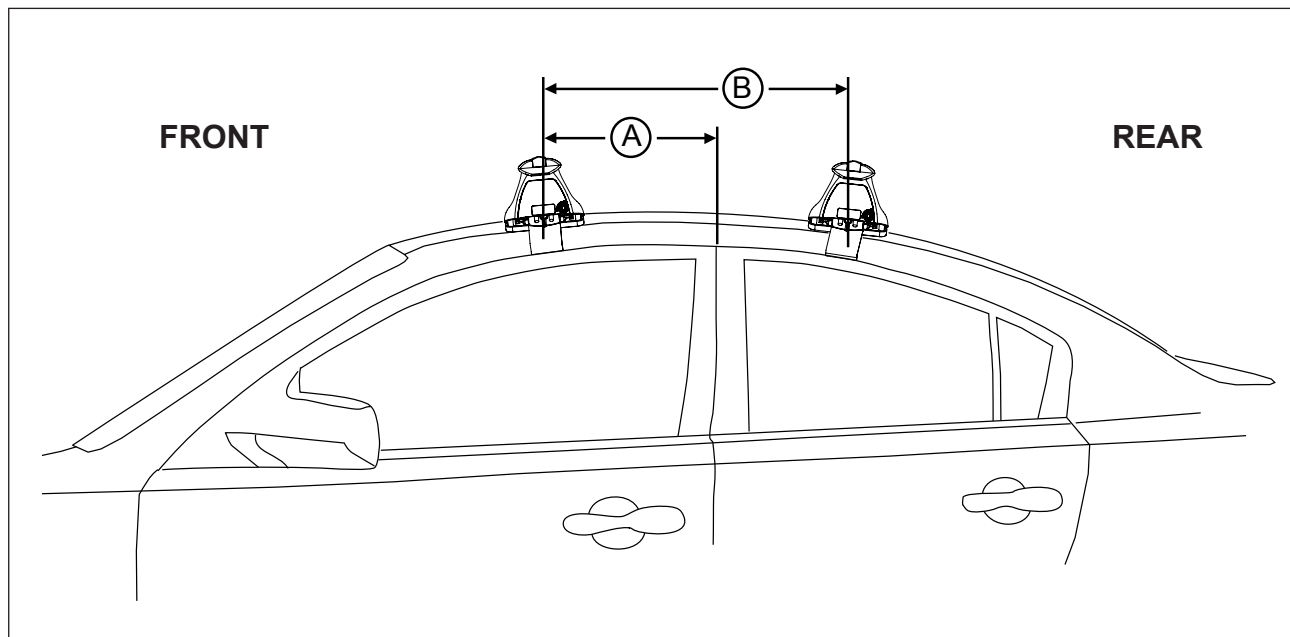
DK381 Rhino-Rack VA, DA, Euro & HD crossbar instruction

Measurement A: CENTRE of door jamb to CENTRE arrow of leg foot plate.

Measurement B: CENTRE of Front leg foot plate arrow to CENTRE of Rear leg foot plate arrow.

Carrying capacity: Roof rack is rated to 75kg. Please refer to manufacturers handbook for your vehicles maximum roof load capacity. Always use the lower of the two figures.

If your vehicle is not listed on this fitting instruction please refer to your countries Rhino-Rack web site for the latest information.



VEHICLE	Date	Measurement A	Measurement B	Load Rating (includes racks 5kg/ 11lbs)
Nissan Altima/Altima Hybrid 4dr sedan	13-	260mm / 10,1/4"	720mm / 28,3/8"	75kg/ 165lbs