



DK132 Rhino-Rack VA, Aero, Euro & HD crossbar instruction

IDENTIFICATION CHART



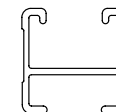
VA crossbar



AERO crossbar



EURO crossbar



HD crossbar

Vehicle	Date	Crossbar	Front					Rear						
			Right Pad/ Clamp	Left Pad/ Clamp	Measurement strip length per side	Measurement strip length per side	Measurement Distance (x)	Foot plate arrow direction	Right Pad/ Clamp	Left Pad/ Clamp	Measurement strip length per side	Measurement strip length per side	Measurement Distance (x)	Foot plate arrow direction
Nissan Dualis Hatch	12/2007 on	1260mm / 49,39/64"	M367 SUB0200	M367 SUB0200	205mm	92mm	1058mm / 41,21/32"	OUT	M367 SUB0201	M367 SUB0201	193mm	80mm	1034mm / 40,22/32"	OUT
			Arrow FORWARD						Arrow FORWARD					



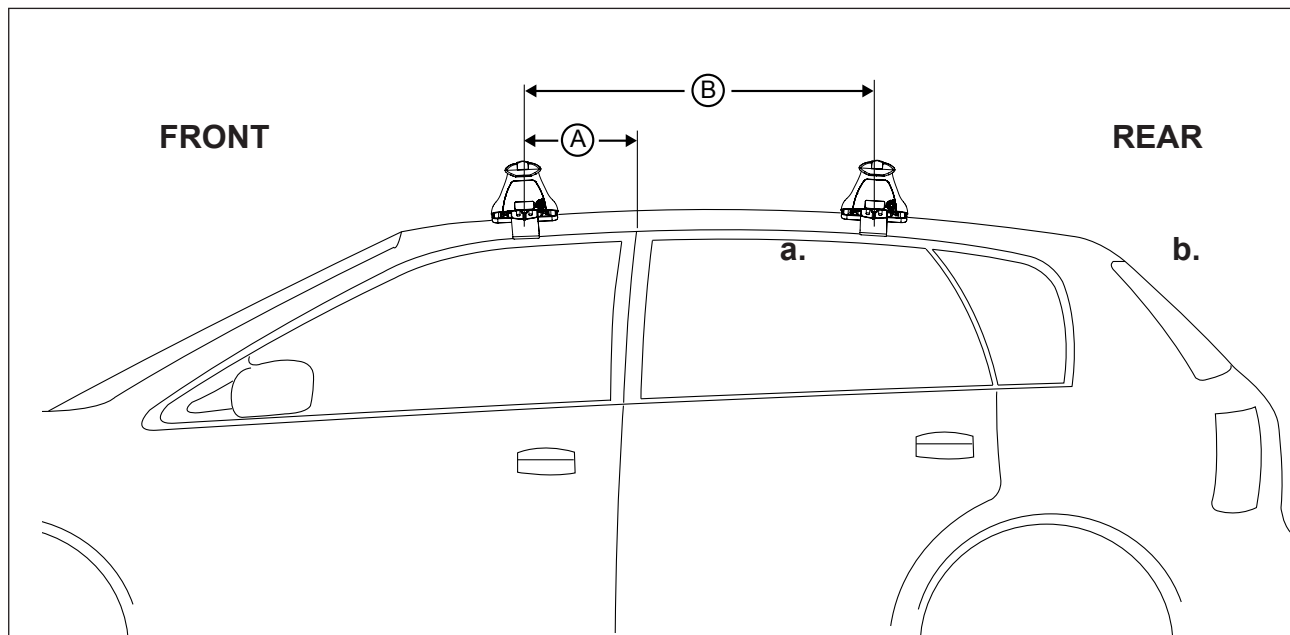
DK132 Rhino-Rack VA, Aero, Euro & HD crossbar instruction

Measurement A: CENTRE of door jamb to CENTRE arrow of leg foot plate.

Measurement B: CENTRE of Front leg foot plate arrow to CENTRE of Rear leg foot plate arrow.

Carrying capacity: Roof rack is rated to 75kg. Please refer to manufacturers handbook for your vehicles maximum roof load capacity. Always use the lower of the two figures.

If your vehicle is not listed on this fitting instruction please refer to your countries Rhino-Rack web site for the latest information.



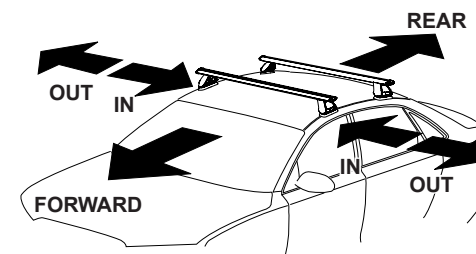
*** SPECIAL NOTE for:**

NISSAN Dualis.

Carefully cut through tape holding the rubber seal to the vehicle at points A & B. Fit bracket as shown with M5 hardware supplied in kit.



Direction of Pad, Arrow and Foot Plates



VEHICLE	Date	Measurement A	Measurement B	Load Rating (includes racks 5kg/ 11lbs)
Nissan Dualis Hatch	12/2007 on	165mm / 6,1/2"	752mm / 29,39/64"	60kg / 132lbs



DK132 Rhino-Rack VA, Aero, Euro & HD crossbar instruction

Crossbar	Slot Length on Aero/ Euro	VA formula (based on Euro/ Aero) 300mm slot
DA106 1060mm	187mm	+110mm
DA1180 1180mm	245mm	+55mm
DA1260 1260mm	187mm	+113mm
DA1375 1375mm	245mm	+55mm
DA1500 1500mm	245mm	+55mm