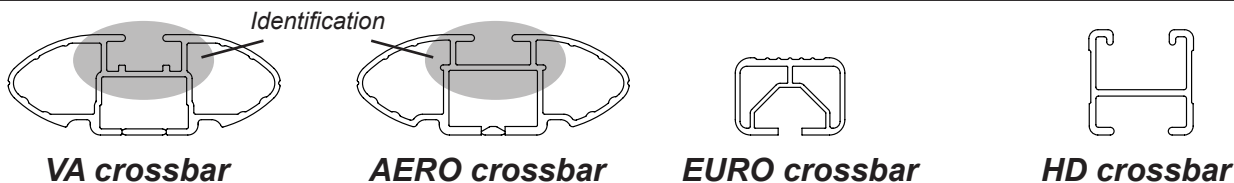




DK040 Rhino-Rack VA, Aero, Euro & HD crossbar instruction

IDENTIFICATION CHART



Vehicle	Date	Crossbar	FRONT CROSSBAR					REAR CROSSBAR				
			Front Right Pad/ Clamp	Front Left Pad/ Clamp	Measurement strip length per side	Measurement strip length per side	Measurement Distance (x)	Foot plate arrow direction	Rear Right Pad/ Clamp	Rear Left Pad/ Clamp	Measurement strip length per side	Measurement strip length per side
Mazda 323 Astina	09/98-12/03	1180mm	M367 SUB0146	197mm	142mm	962mm	OUT	M367 SUB0146	181mm	126mm	930mm	OUT
			Arrow FORWARD					Arrow FORWARD				
Mitsubishi Triton 4x4 Dual Cab	11/96-07/06	1260mm	M367 SUB0146	172mm	59mm	992mm	OUT	M367 SUB0146	177mm	64mm	1002mm	OUT
			Arrow FORWARD					Arrow FORWARD				
Proton Persona 5dr Hatch	11/96 on	1180mm	M367 SUB0146	150mm	95mm	868mm	OUT	M367 SUB0146	150mm	95mm	868mm	OUT
			Arrow FORWARD					Arrow FORWARD				
Mercedes Benz A-Class, W168 5dr Hatch	10/98-04/05	1180mm	M367 SUB0146	179mm	124mm	926mm	OUT	M367 SUB0146	160mm	105mm	888mm	OUT
			Arrow FORWARD					Arrow FORWARD				



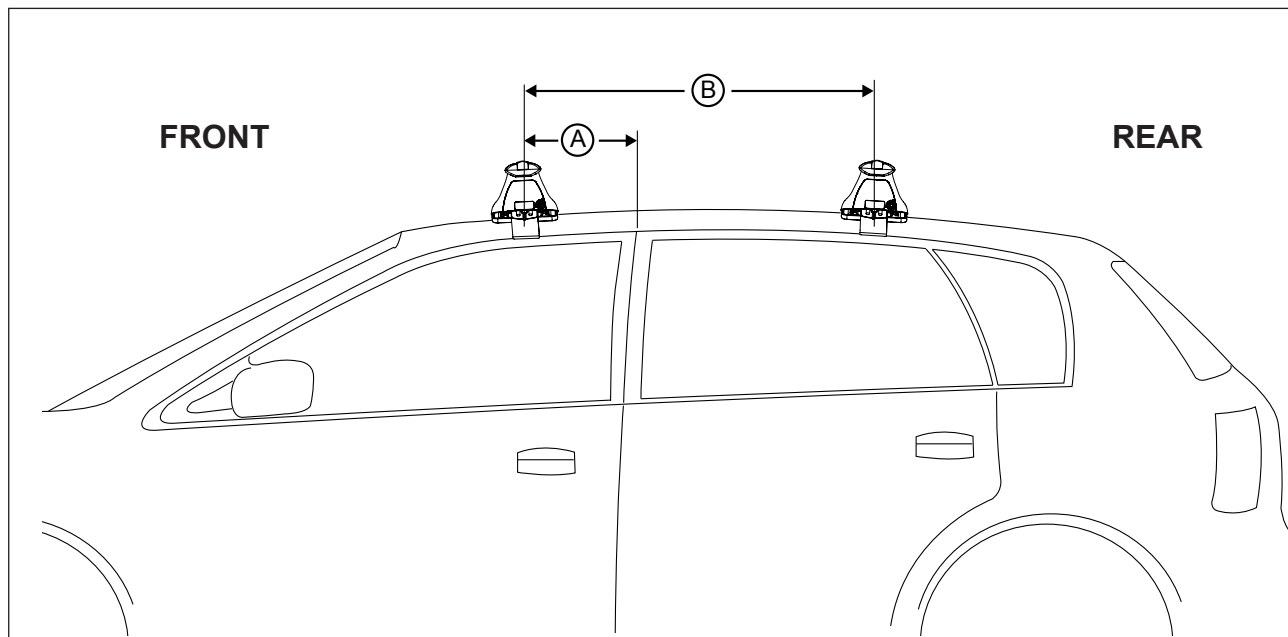
DK040 Rhino-Rack VA, Aero, Euro & HD crossbar instruction

Measurement A: CENTRE of door jamb to CENTRE arrow of leg foot plate.

Measurement B: CENTRE of Front leg foot plate arrow to CENTRE of Rear leg foot plate arrow.

Carrying capacity: Roof rack is rated to 75kg. Please refer to manufacturers handbook for your vehicles maximum roof load capacity. Always use the lower of the two figures.

If your vehicle is not listed on this fitting instruction please refer to your countries Rhino-Rack web site for the latest information.



VEHICLE	Date	Measurement A	Measurement B	Load Rating (includes racks 5kg/ 11lbs)
Mazda 323 Astina	09/98-12/03	300mm	700mm	75kg / 165lbs
Mitsubishi Triton 4x4 Dual Cab	11/96-07/06	300mm	800mm	75kg / 165lbs
Proton Persona 5dr Hatch	11/96 on	250mm	650mm	75kg / 165lbs
Mercedes Benz A-Class W168 5dr Hatch	10/98-04/05	250mm	700mm	75kg / 165lbs