

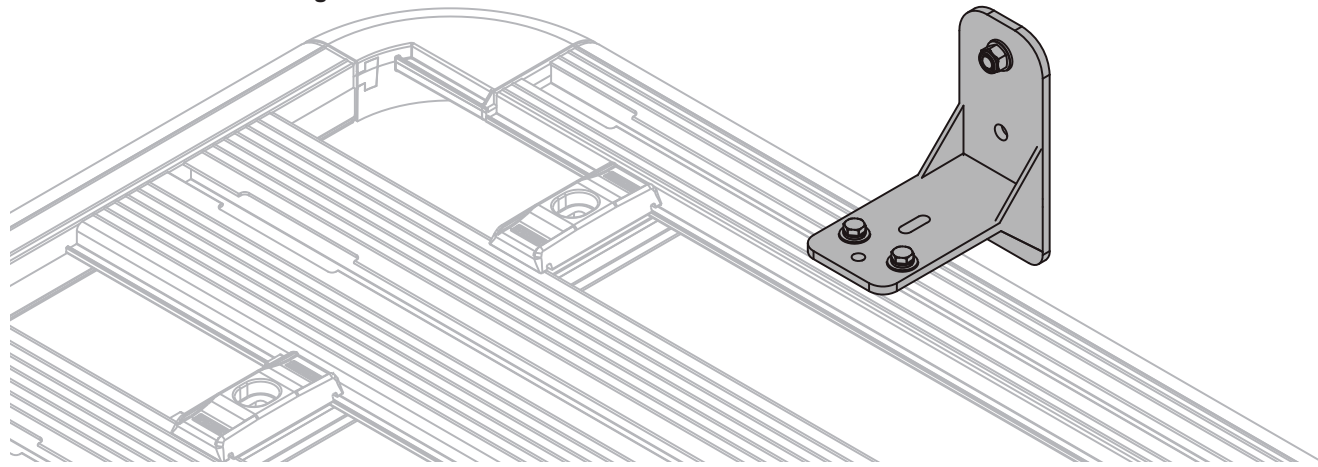
RHINO-RACK

Batwing Awning Bracket Pioneer Platform/ Tray - 43259

- | | |
|--|--|
| 1. <input type="checkbox"/> Check Part No./Kit is correct | 3. <input type="checkbox"/> Fit roof rack accessory |
| 2. <input type="checkbox"/> Read through instruction before installing | 4. <input type="checkbox"/> Check and recheck all fasteners are secure |

Suitable for use with:

Rhino Batwing Awning
Rhino Sunseeker Awning

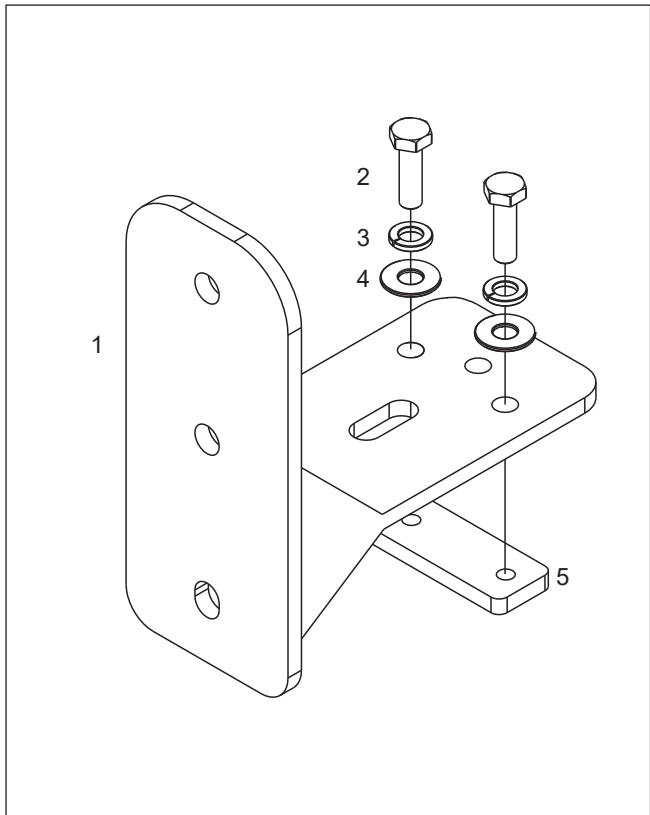


Parts List

Item	Assembled Batwing	Qty	Part No.
1	Pioneer Awning Bracket	2	CA1816
2	M6 x 20mm Hex Bolt	4	B082
3	M6 Spring Washer	4	W004
4	M6 x 16mm Flat Washer	4	W031
5	Plate Nut	2	C838
6	Instructions	1	R1806

Care Instruction
Clean the Pioneer Platform/ Tray prior to fitting the awning bracket.

Tools Required
10mm Spanner



Rhino-Rack
3 Pike Street, Rydalmere,
NSW 2116, Australia.
(Ph) (02) 9638 4744
(Fax) (02) 9638 4822

Document No: R1806
Prepared By: Kayle Everett
Authorised By: Chris Murty

Issue No: 02
Issue Date: 09/10/2018

These instructions remain the property of Rhinorack Australia Pty Ltd and may not be used or changed for any other purpose than intended.

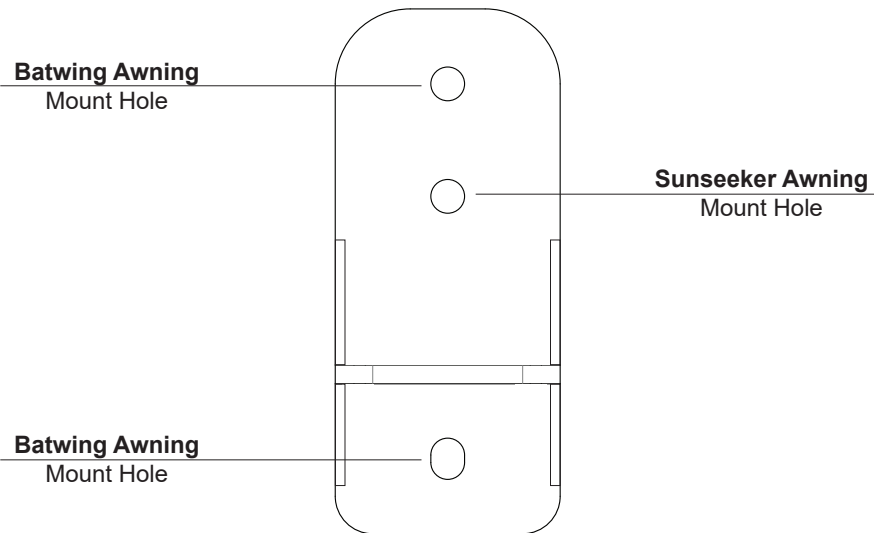


Batwing Awning Bracket Pioneer Platform/ Tray - 43259

1

Loosely Fit Bracket to Awning

Using hardware that came with the awning, loosely fit the brackets to the awning as specified in the awning fitting instructions. Refer image below for mount locations.



2

Fit Awning Brackets to Pioneer/ Vortex Crossbars

Assemble the bracket hardware as shown depending on whether you intend to fit the bracket to a pioneer tray or vortex crossbar.

Slide the awning to its final position and tighten the hardware as specified in the awning fitting instructions.

