

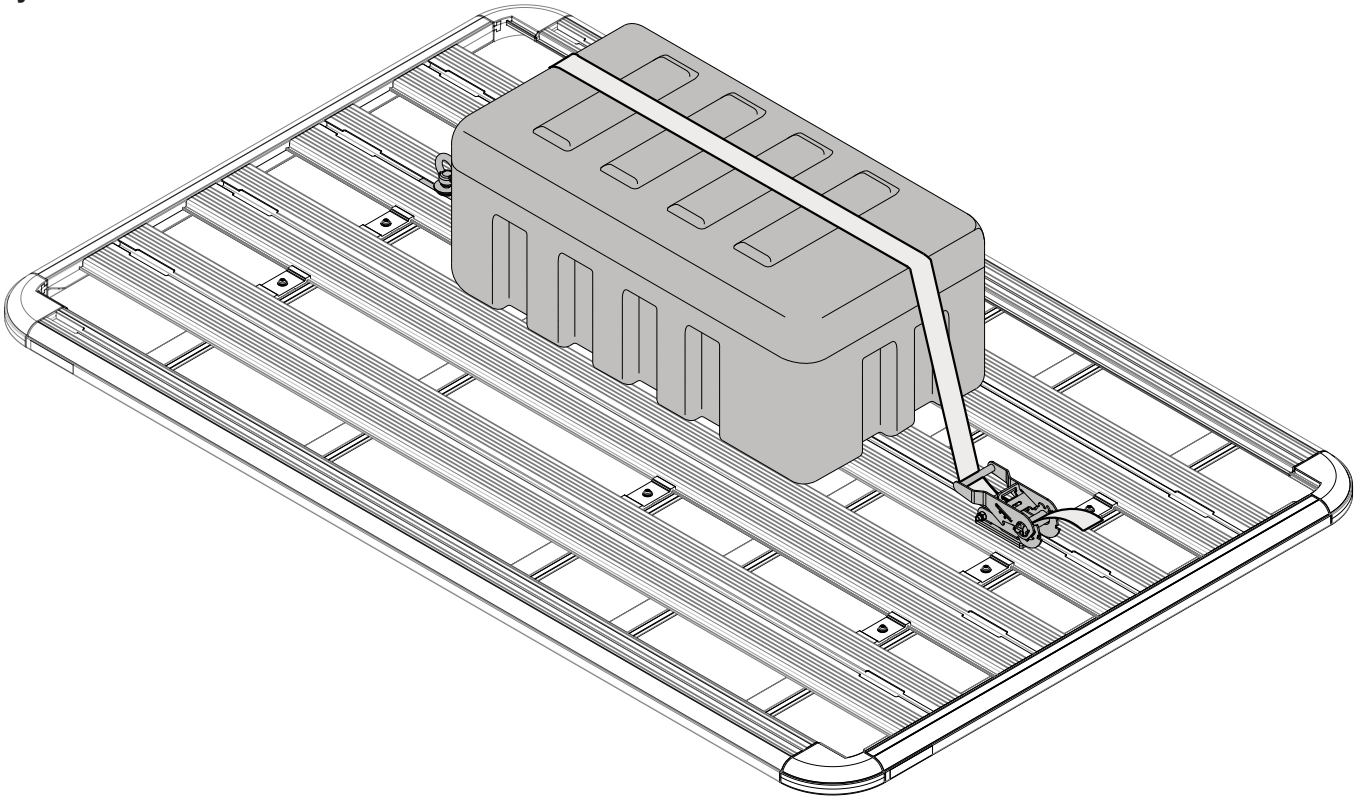


RHINO-RACK

43139 Commercial - Ratchet Grab with Strap

Important: Please read these instructions carefully prior to installation. Please refer to your fitting instruction to ensure that the bike rack is installed in the correct locations. Check the contents of kit before commencing fitment and report any discrepancies. Place these instructions in the vehicle's glove box after installation is complete.

Layout



Important Information

Recommendations:

Use only non-stretch fastening straps. Do not overload your Rhino-Rack Alloy Tray and roof bars. Check your vehicle's roof carrying capacity. Exercise caution when driving off road as vehicle roof height has been increased. Regularly check eye bolt and ratchet strap for signs of wear or damage. **Max load for polyester webbing is 225kg.**

Caution:

The handling characteristics of the vehicle change when you transport a load on the roof. For safety reasons, we recommend exercising extreme care when transporting large wind-resisting loads; special consideration must be taken into account when negotiating corners and under braking. Must not be used for lifting. Always inspect prior to use. Protect from friction and abrasion. Do not tie knots in webbing. Do not use strap if it is damaged.

Note for Dealers and Fitters:

It is your responsibility to ensure instructions are given to the end user or client.

Rhino-Rack
3 Pike Street, Rydalmere,
NSW 2116, Australia.
(Ph) (02) 9638 4744
(Fax) (02) 9638 4822

Document No: R407
Prepared By: Kayle Everett
Authorised By: Chris Murty

Issue No: 01
Issue Date: 28/03/2014

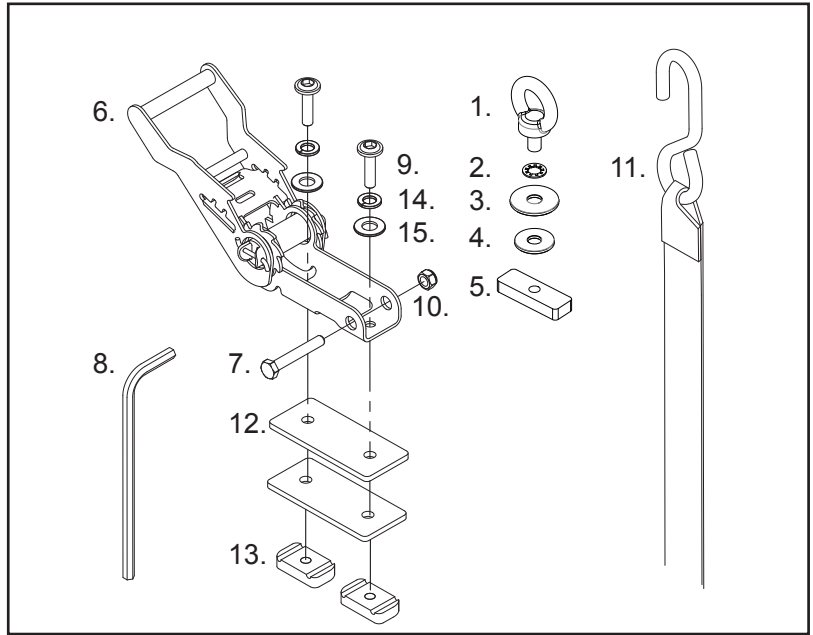
These instructions remain the property of RhinoRack Australia Pty. Ltd. and may not be used or changed for any other purpose than



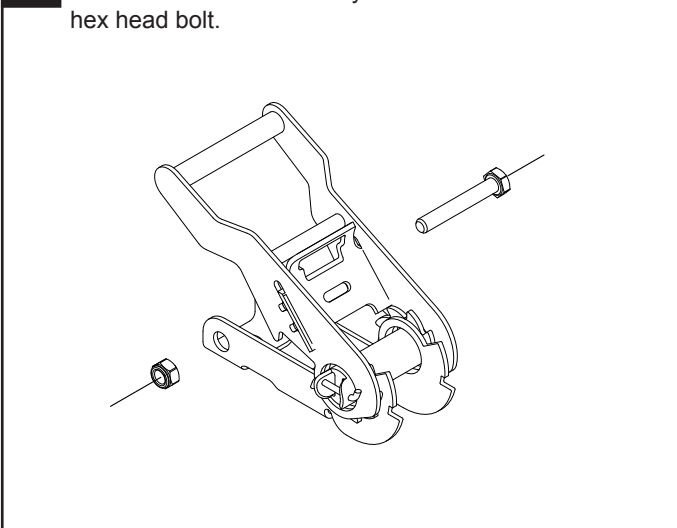
43139 Commercial - Ratchet Grab with Strap

Item	Component Name	Qty.	Part No.
1	Eye Bolt 10mm - Mech Gal - DIN580	1	C013
2	M10 Internal S/Proof Wash - Mech Gal	1	W021
3	M10 x 38 x 2.5 Flat Washer - Mech Plate	1	W022
4	M10 x 30 Flat Washer - Mech Plate	1	W023
5	M10 Plate Nut	1	N061
6	25mm Stainless Steel Ratchet	1	C062
7	M6 x 44mm Hex Bolt	1	B133
8	6mm Sec Allen Key	1	H021
9	22mm Sec Screws	2	B132
10	Nyloc Nut	1	N013
11	2m Black Strap with Hook	1	C031
12	80mm x 35mm x 4mm Ratchet Plate	2	C041
13	M6 Channel Nut	2	N002
14	6mm Spring Washer	2	W004
15	6mm Flat Washer	2	W003
16	Instructions	1	R407

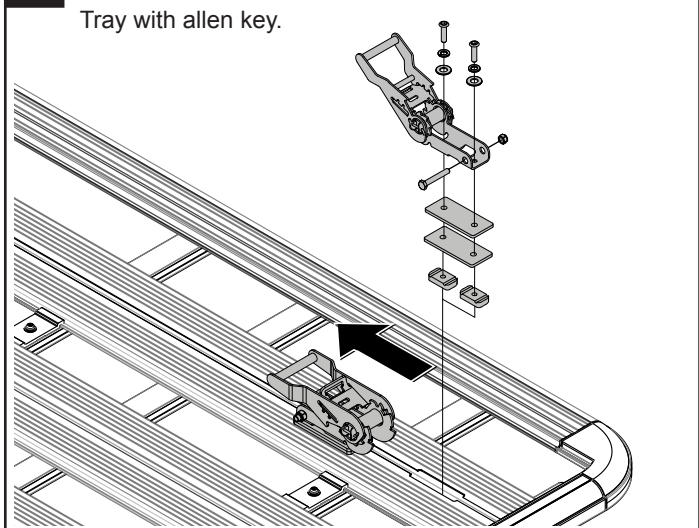
Parts List



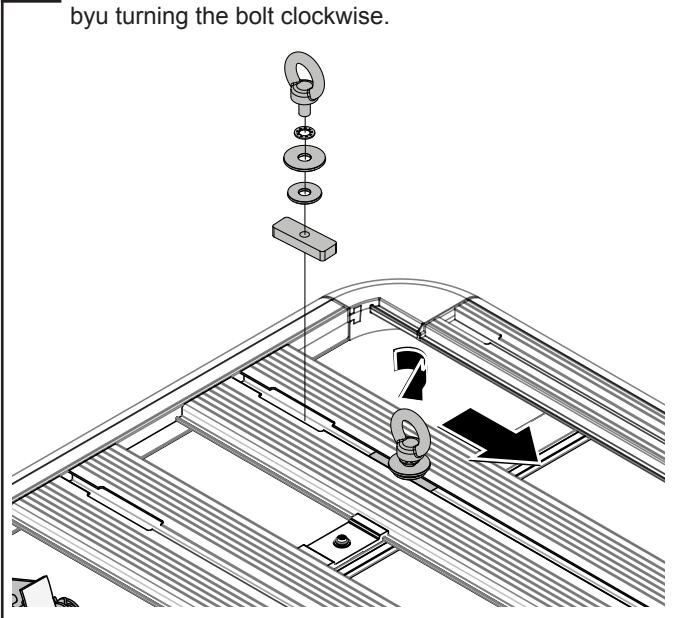
1 Remove the M6 x 44mm nyloc nut and M6 x 44mm hex head bolt.



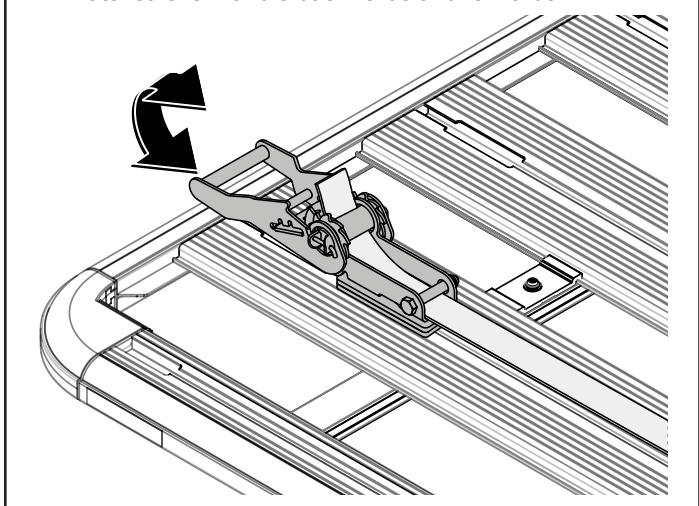
2 Assemble the ratchet as shown. Attach to Pioneer Tray with allen key.



3 Assemble the Eye Bolt as shown. Attach to Pioneer by turning the bolt clockwise.



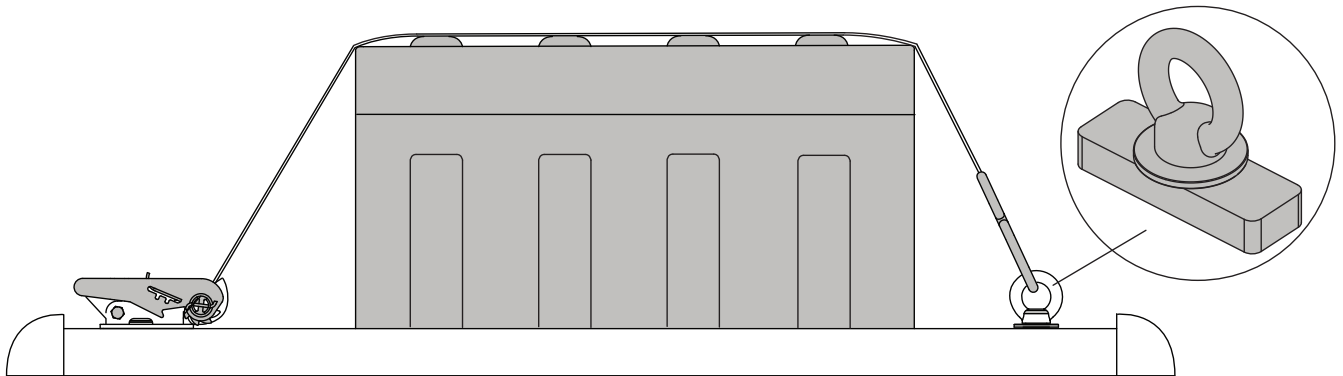
4 Insert the webbing strap under the M6 x 44mm hex head bolt and thread through the slot in the ratchet spool. Pull the strap through the spool slot until the webbing strap is firm. Tension fully by cycling the ratchet lever handle backwards and forwards.



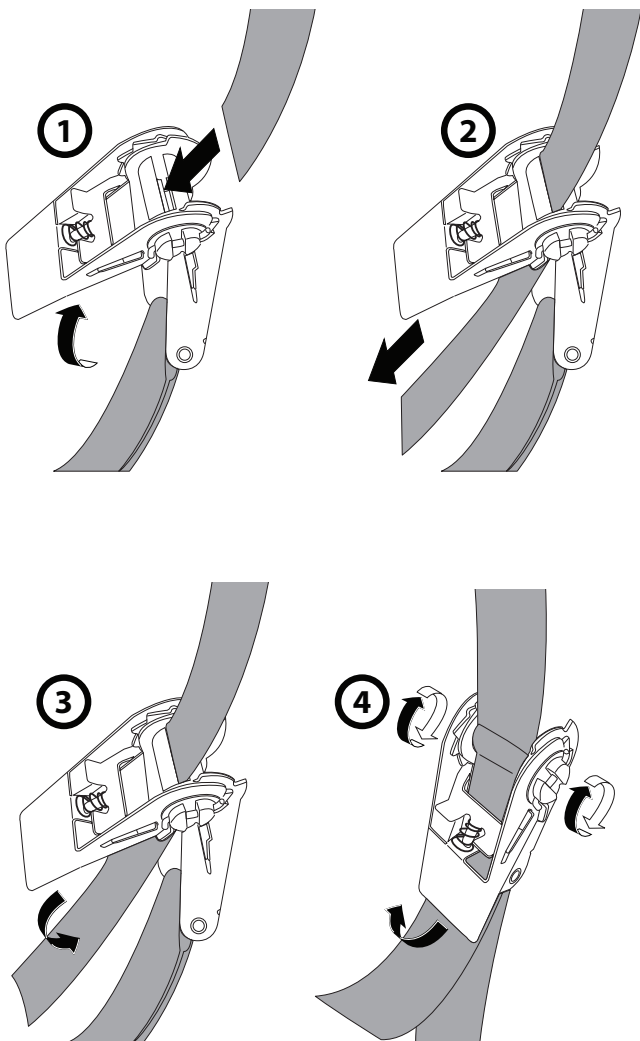


43139 Commercial - Ratchet Grab with Strap

3



How to use the ratchet grab with the strap



How to undo the ratchet grab with the strap

